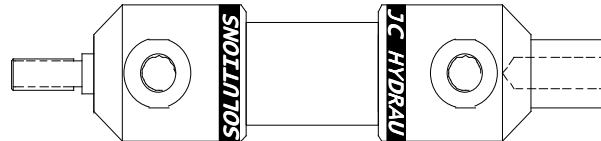
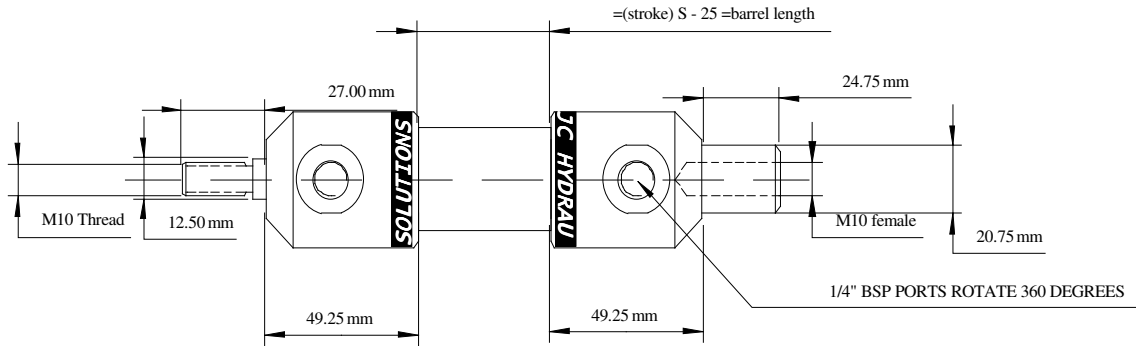


STROKE : OPTIONAL
 DESIGN PRESSURE: 180 BAR
 BORE SIZE: 1" (25.4)
 ROD SIZE: 0.5" (12.7)



JC HYDRAULICS P/L

DRAWING NO.	MATERIAL TYPE:		
TITLE:	START DATE:	CURRENT DATE:	
SCALE: do not scale	JOB NO.	AUTHOR:	

